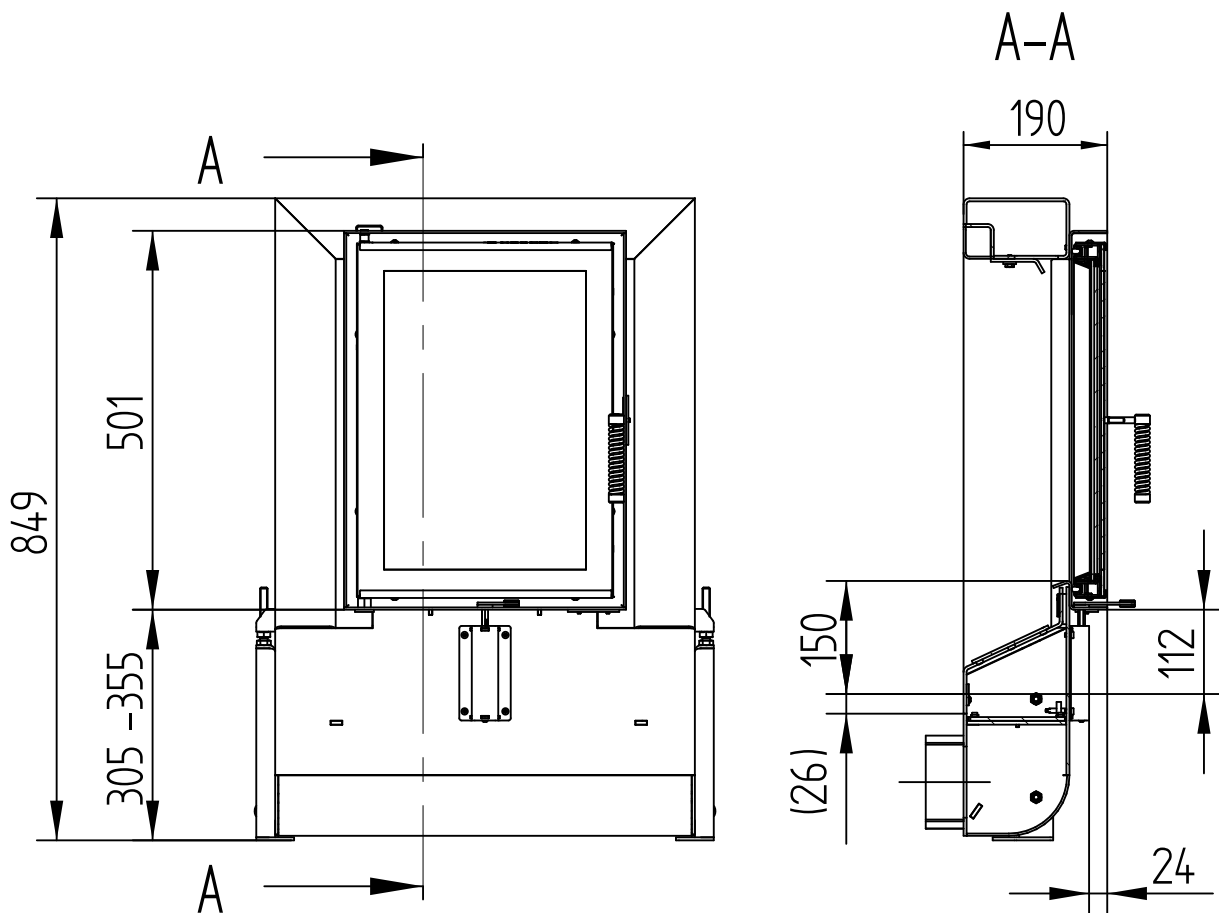
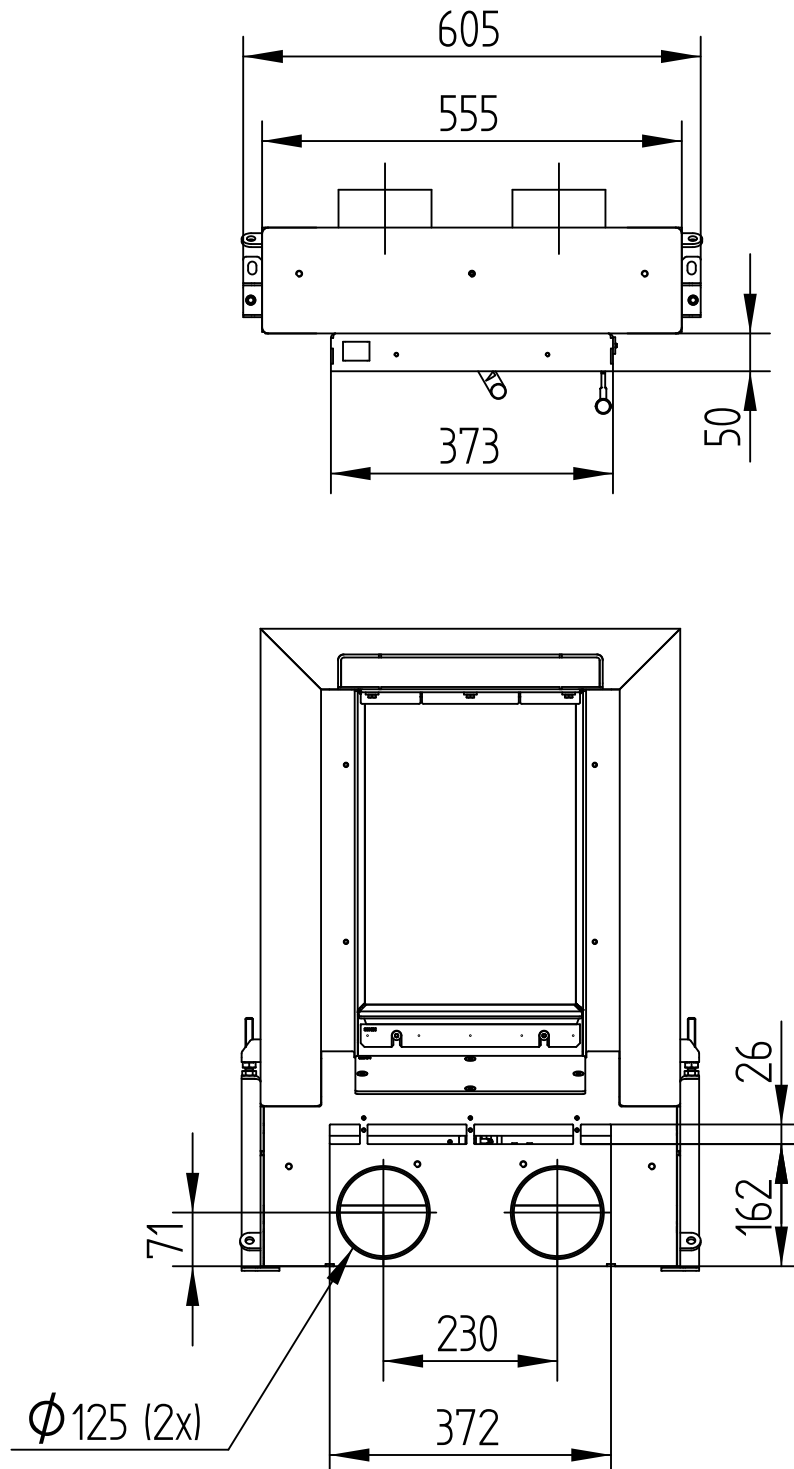


GENERAL TECHNICAL INFORMATION	
Recommended wood load	12 kg
Maximum cross-section of the supply air connection	220 cm ²
Combustion air connection	2 × Ø 125 mm
Free glass area	1148 cm ²

M 1 : 10



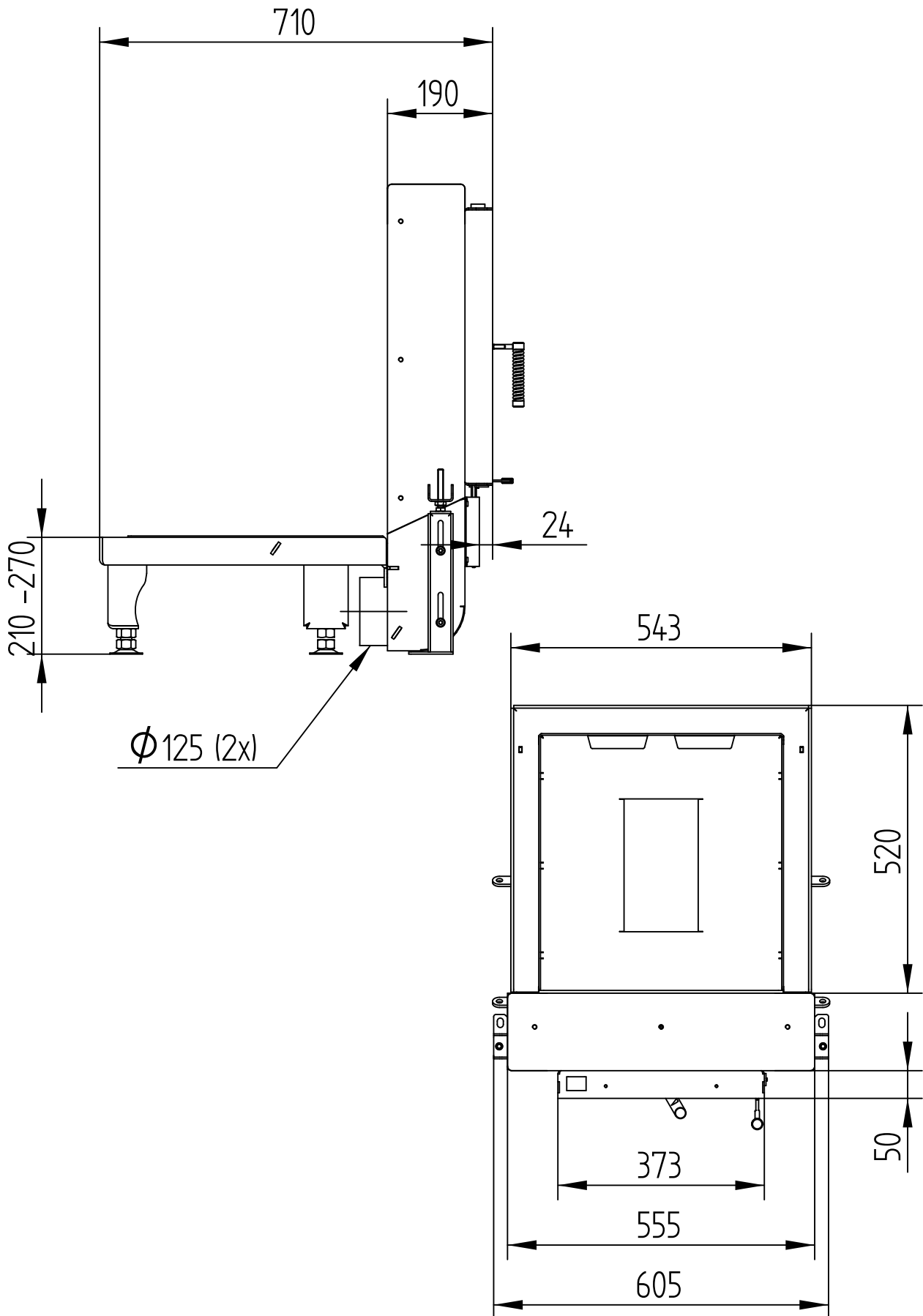


GT2 37/50

Technical data
Version 07/2015

WITH BASE

M 1 : 10

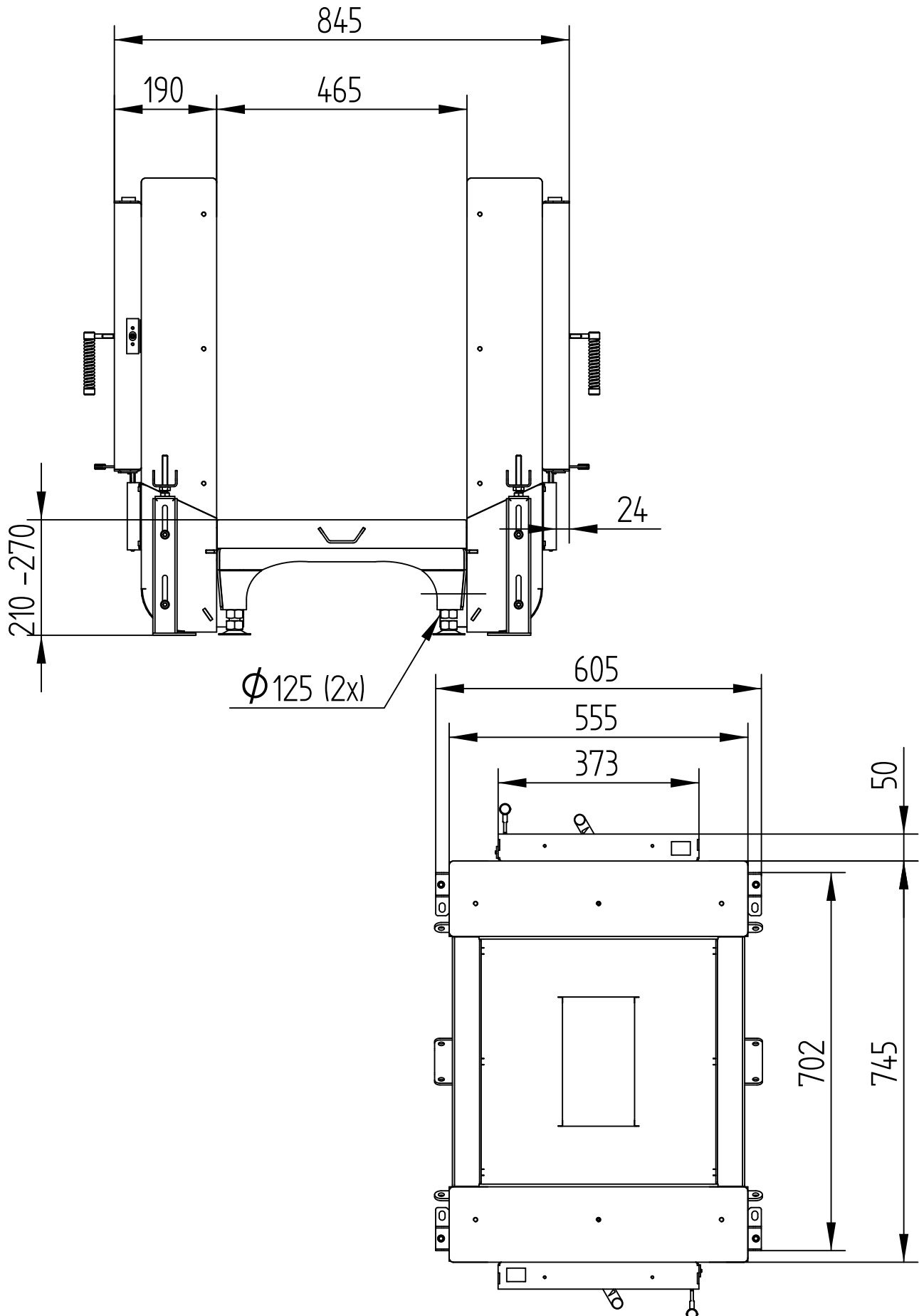


GT2 37/50

Technical data
Version 07/2015

WITH BASE FOR SEE-THROUGH DESIGN

M 1 : 10

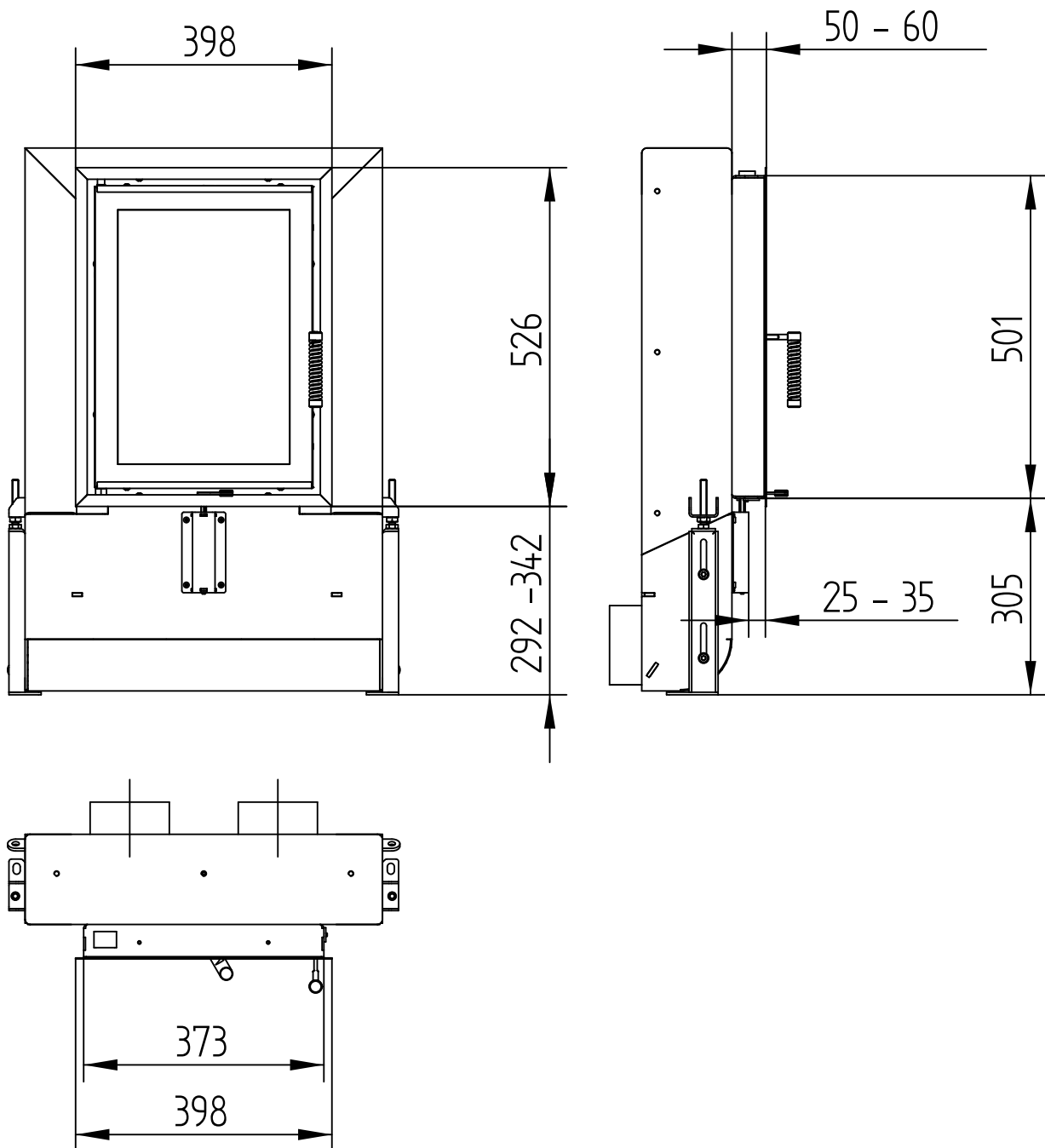


GT2 37/50

Technical data
Version 07/2015

COVER FRAME 4-SIDED 1 x 90°

M 1 : 10



GT2 37/50

Technical data
Version 07/2015

COVER FRAME 4-SIDED 2 x 45°

M 1 : 10

