

OPERATION WITH CONNECTED ACCUMULATION MASS - ACCUMULATION PERIOD 12 H	
Tested according to	EN 13229
Efficiency	> 80 %
Load of wood (minimum / average / maximum)	5 / 8 / 10 kg
Heat power (with accumulation period 12 h and load of wood Ø 8kg)	2,5 kW
Total heat output of the burning chamber (load of wood Ø 8kg)	30,1 kW
Mass flow of flue gas (load of wood Ø 8kg)	21,5 g/s
Average flue gas temperature	
on the output ¹⁾	559 °C
past 4,5 m of ceramic accumulation system ²⁾	184 °C
Heat distribution	
mass storage heater	20 %
door glass (single / double)	- / 30 %
adjoining accumulation mass	50 %
Required chimney pressure ³⁾	12 Pa
Required amount of combustion air	100 m ³ /h

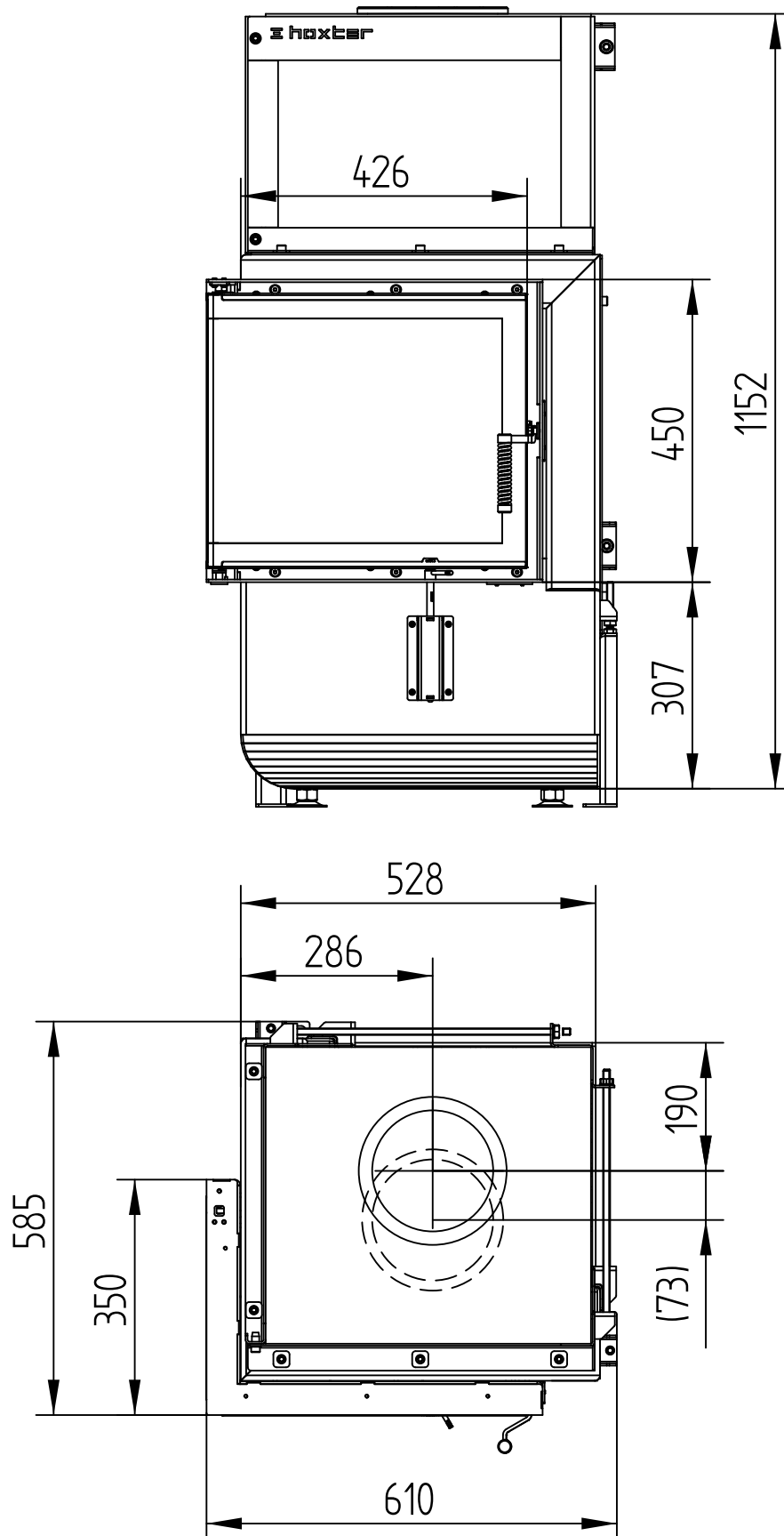
GENERAL TECHNICAL INFORMATION	
Combustion air connection	1 x Ø 150 mm
Total weight / heater accumulation mass weight	ca. 302 / 193 kg
Use in non-ventilated accumulation builds according to craft rules	suitable
Meets values	BlmSchV (Stufe2), 15a BVG

- 1) The Hoxter products are available in the Austrian stove-calculation program for evaluation of firebrick accumulation systems.
- 2) Reference value - for accurate results is evaluation of every system in a calculation program necessary.
- 3) For SF without adjoining accumulation mass.

SF 37.24 - 50/35/45L

Technical data
Version 01/2018

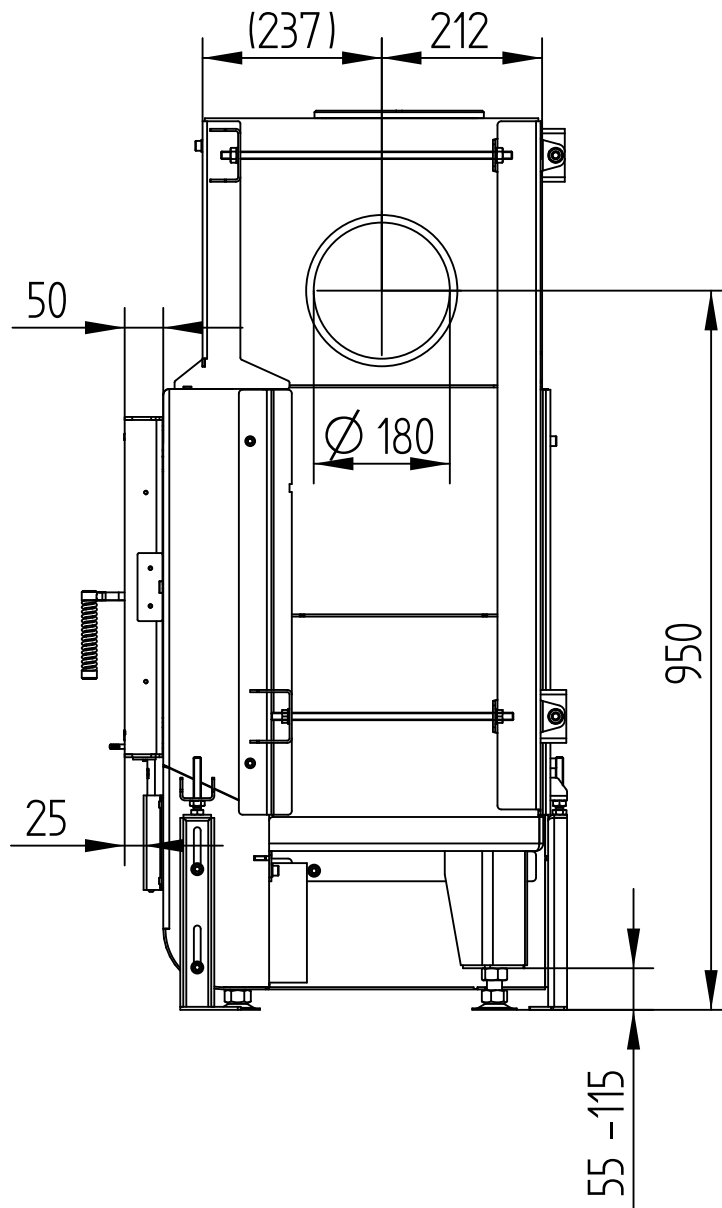
M 1 : 10



SF 37.24 - 50/35/45L

Technical data
Version 01/2018

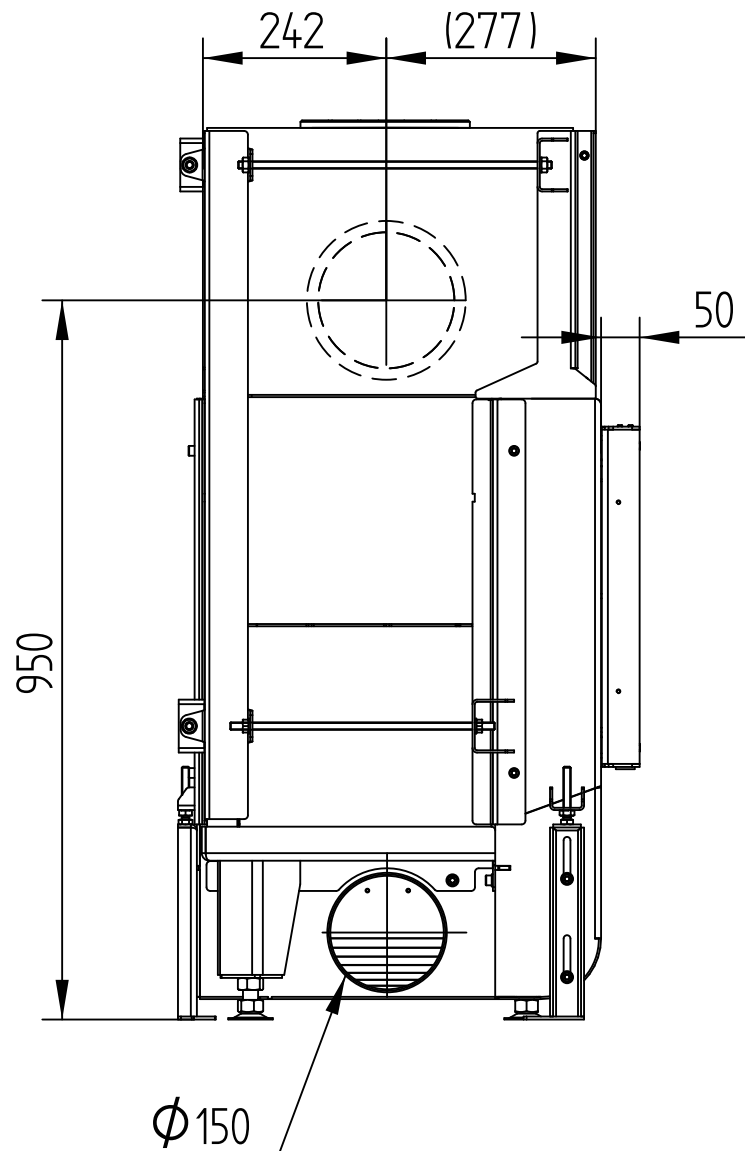
M 1 : 10



SF 37.24 - 50/35/45L

Technical data
Version 01/2018

M 1 : 10

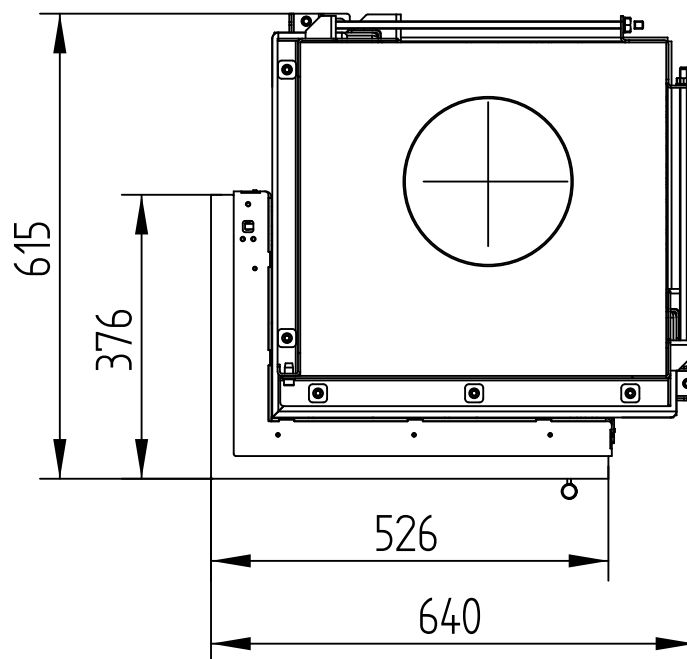
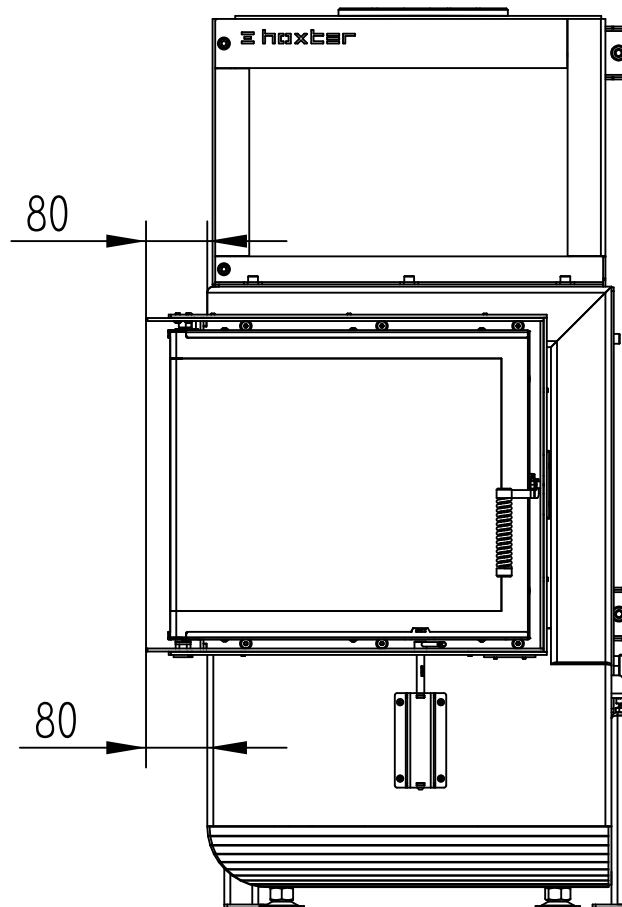


SF 37.24 - 50/35/45L

Technical data
Version 01/2018

BUILD-ON FRAME 6-SIDED, 80 mm

M 1 : 10

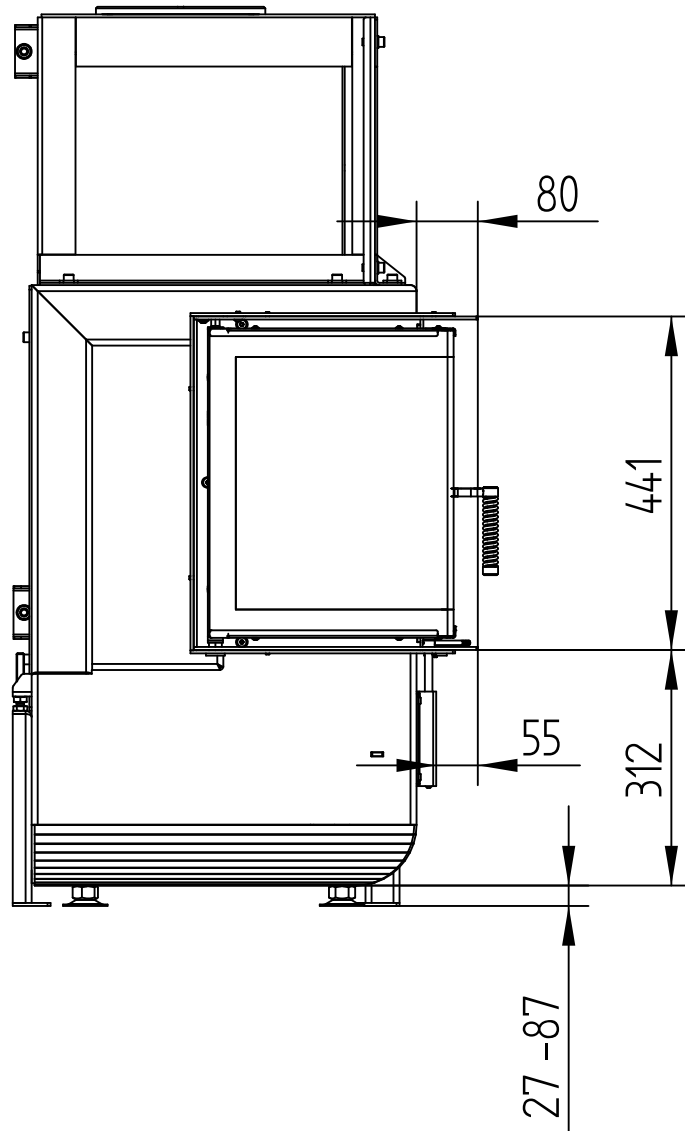


SF 37.24 - 50/35/45L

Technical data
Version 01/2018

BUILD-ON FRAME 6-SIDED, 80 mm

M 1 : 10

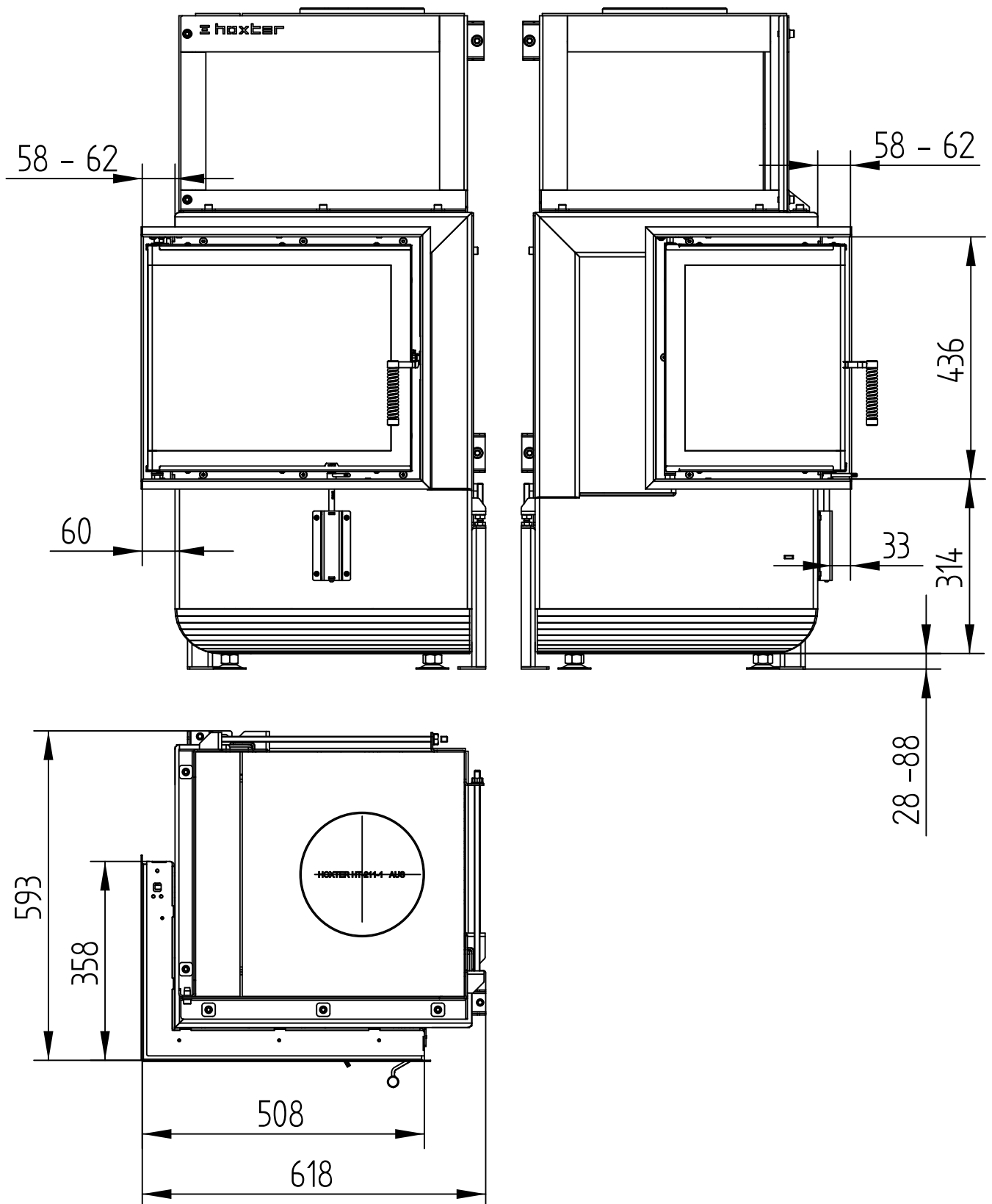


SF 37.24 - 50/35/45L

Technical data
Version 01/2018

COVER FRAME 6-SIDED, 60 mm

M 1 : 10



COVER FRAME 6-SIDED, 60 mm