

OPERATION WHEN DIRECTLY CONNECTED TO CHIMNEY	
Tested according to	EN 13229
Nominal heat power	9 kW
Efficiency	> 80 %
Consumption of wood	2,8 kg/h
Mass flow of flue gas	7,7 g/s
Average flue gas temperature on the output	305 °C
Heat distribution	
fireplace insert	45 %
door glass (single / double)	55 / - %
Required chimney pressure	12 Pa
Required amount of combustion air	25 m ³ /h
Minimum supply air grating cross-section	700 cm ²
Minimum outgoing air grating cross-section	850 cm ²

OPERATION WITH CONNECTED ACCUMULATION MASS	
Load of wood	4,5 kg
Total heat output of the burning chamber	16 kW
Mass flow of flue gas	13,5 g/s
Average flue gas temperature on the output ¹⁾ past 2,4 m of ceramic accumulation system KMS 300 ²⁾	382 °C 228 °C
Heat distribution	
fireplace insert	30 %
door glass (single / double)	55 / - %
adjoining accumulation mass	15 %
Required chimney pressure	12 Pa
Minimum radiant area ³⁾	ca. 4 m ²
Required amount of combustion air	45 m ³ /h

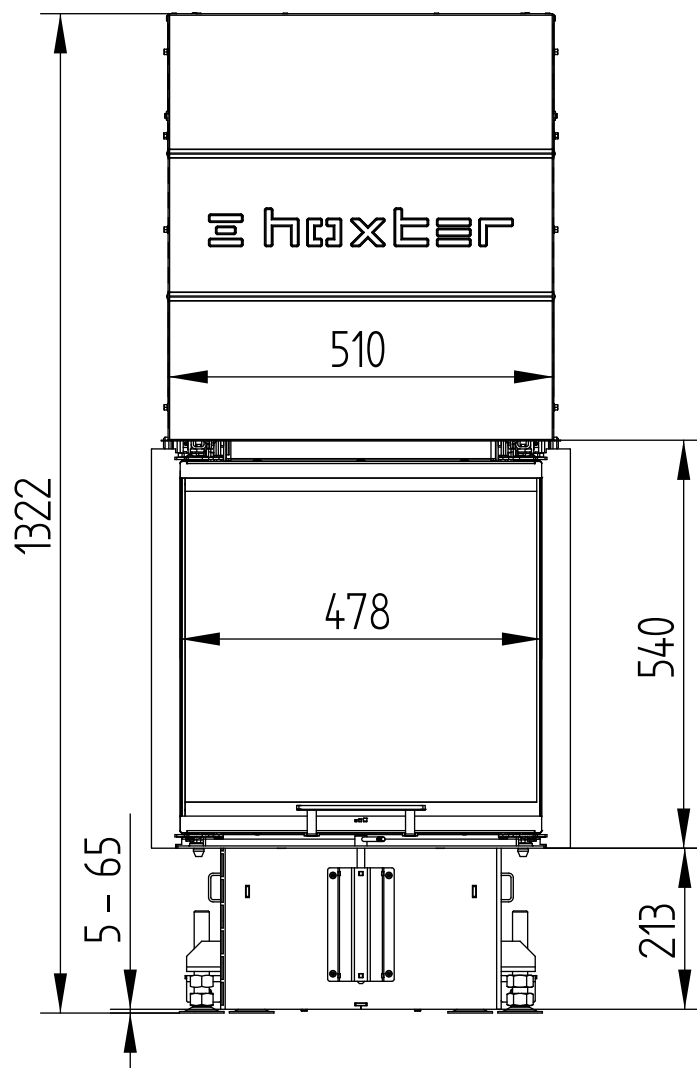
GENERAL TECHNICAL INFORMATION	
Combustion air connection	Ø 150 mm
Total weight / lining weight	ca. 260 / 46 kg
Use in non-ventilated accumulation builds according to craft rules	suitable
Meets values	BlmSchV (Stufe2), 15a BVG

- 1) The Hoxter products are available in the Austrian stove-calculation program for evaluation of firebrick accumulation systems.
- 2) Only a sample calculation! For accurate results is evaluation of each system in the KMS-calculation program from the Ortner company necessary.
- 3) Depends on accumulation period and material characteristics and its thickness. Calculated with heat emission of the radiant area ca. 500 W/m².hr

UKA 86/50/86/52h

Technical data
Version 01/2018

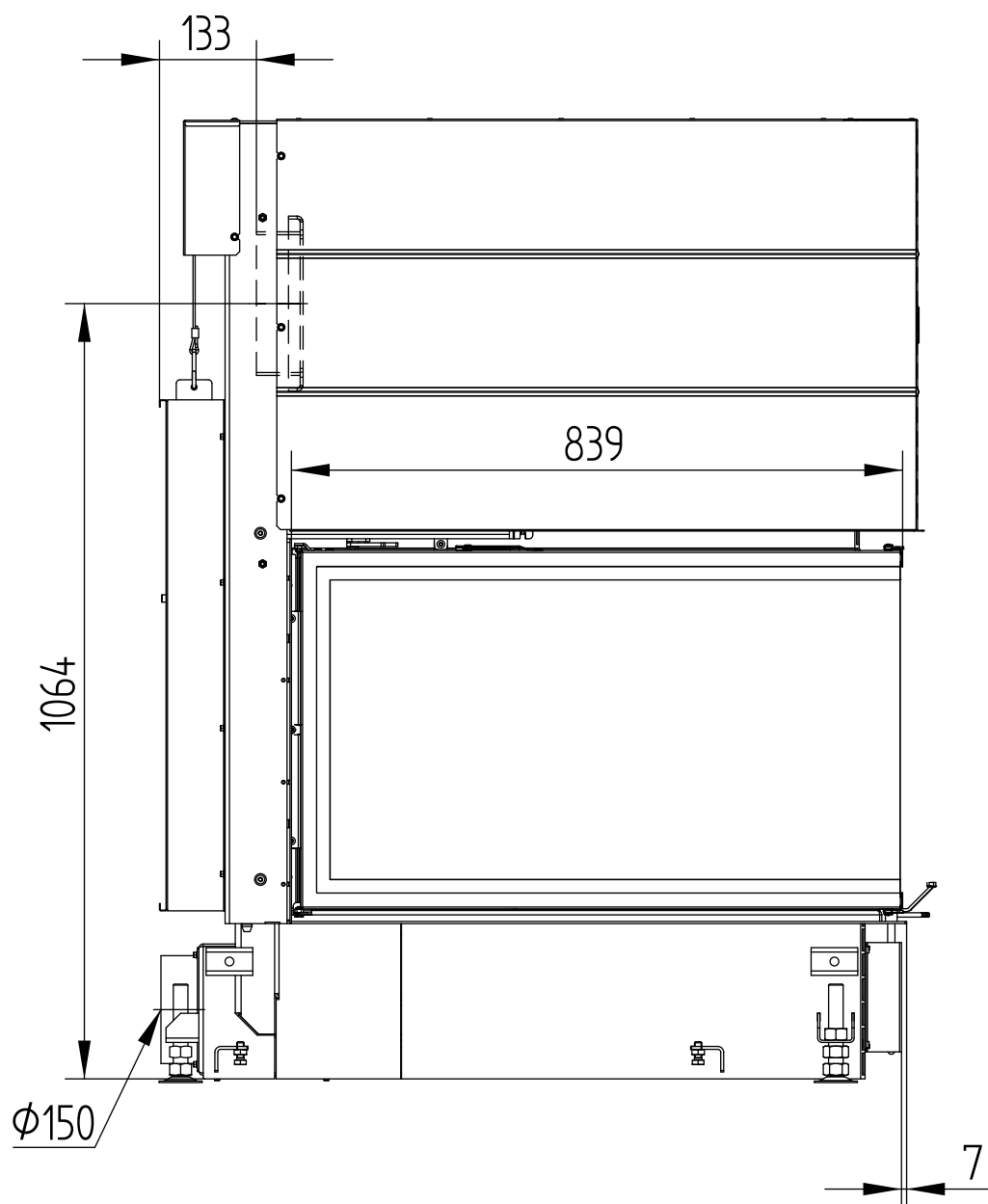
M 1 : 10



UKA 86/50/86/52h

Technical data
Version 01/2018

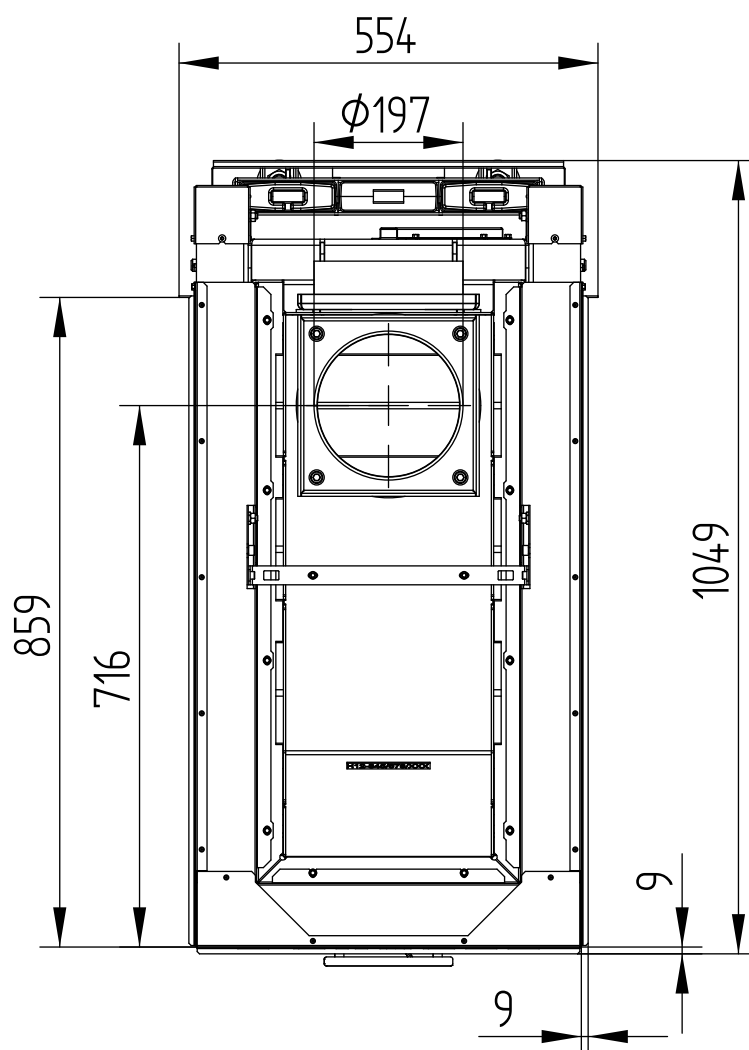
M 1 : 10



UKA 86/50/86/52h

Technical data
Version 01/2018

M 1 : 10

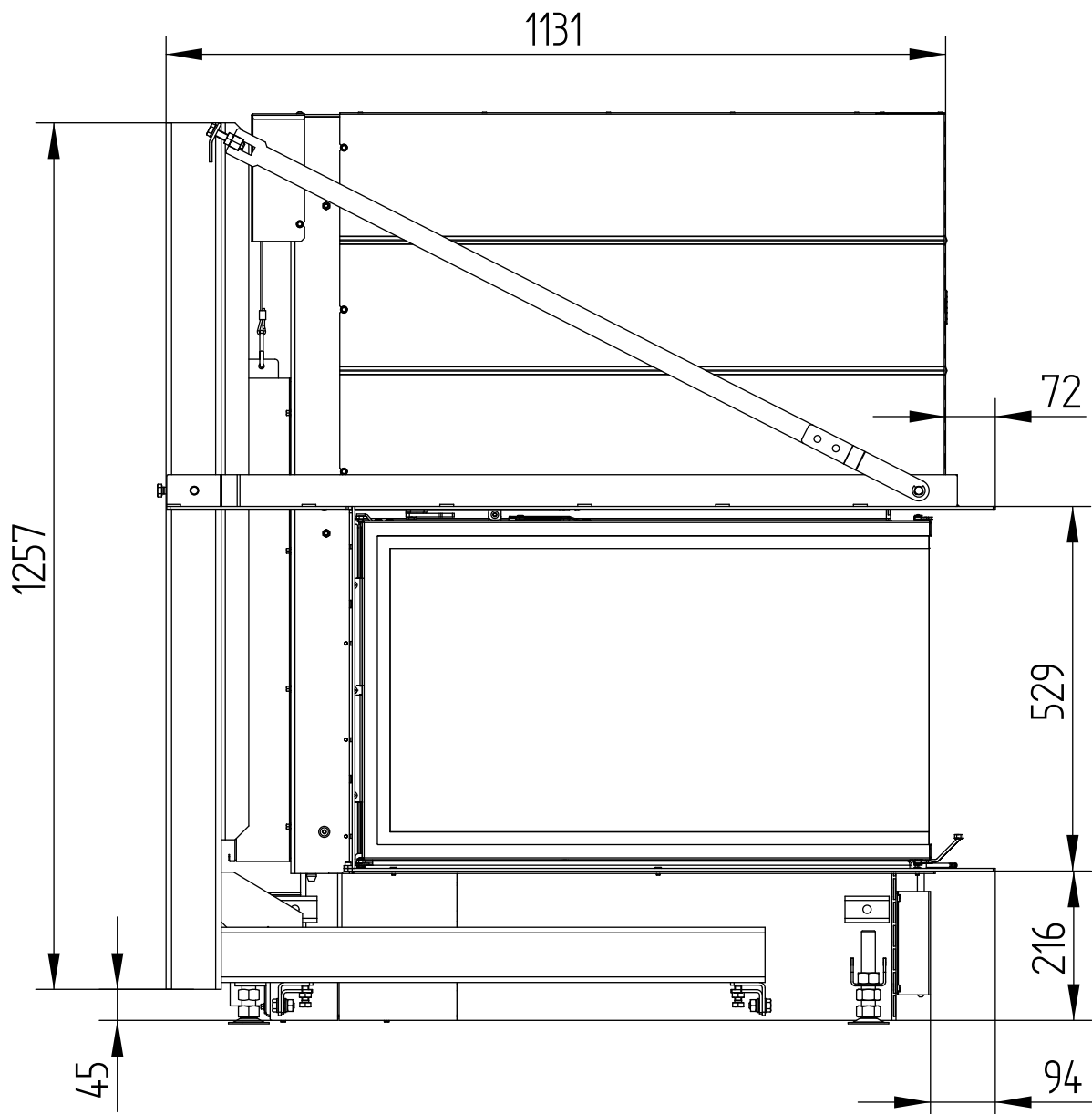


UKA 86/50/86/52h

Technical data
Version 01/2018

BUILD-ON FRAME 8-SIDED

M 1 : 10

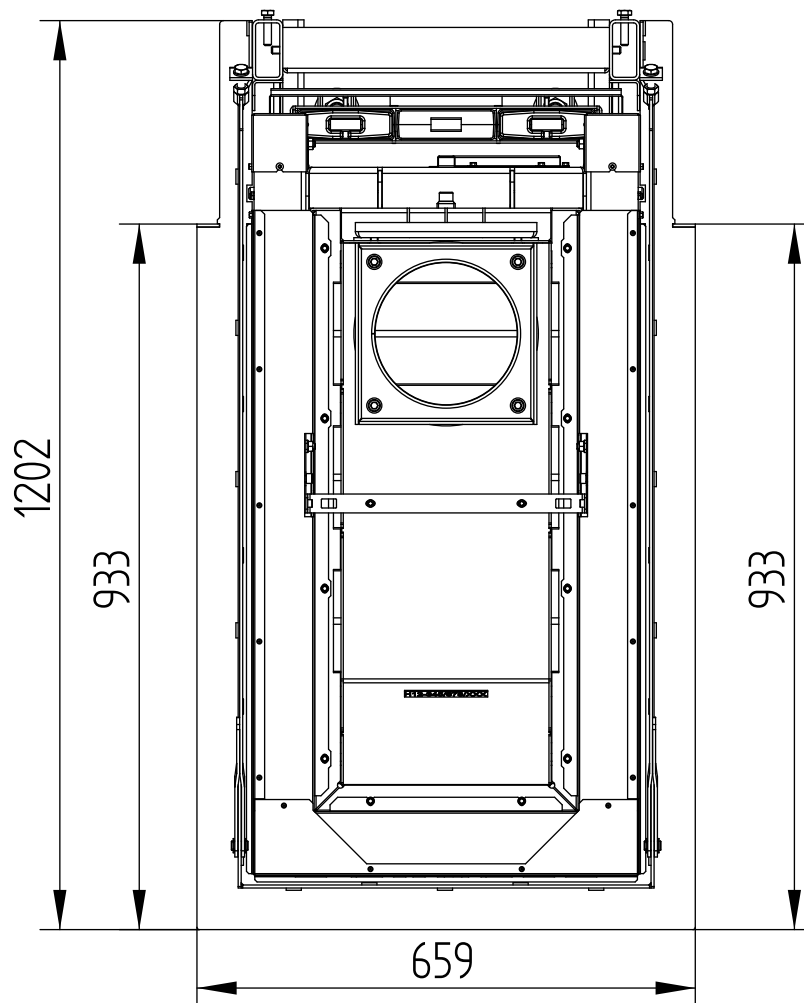


UKA 86/50/86/52h

Technical data
Version 01/2018

BUILD-ON FRAME 8-SIDED

M 1 : 10

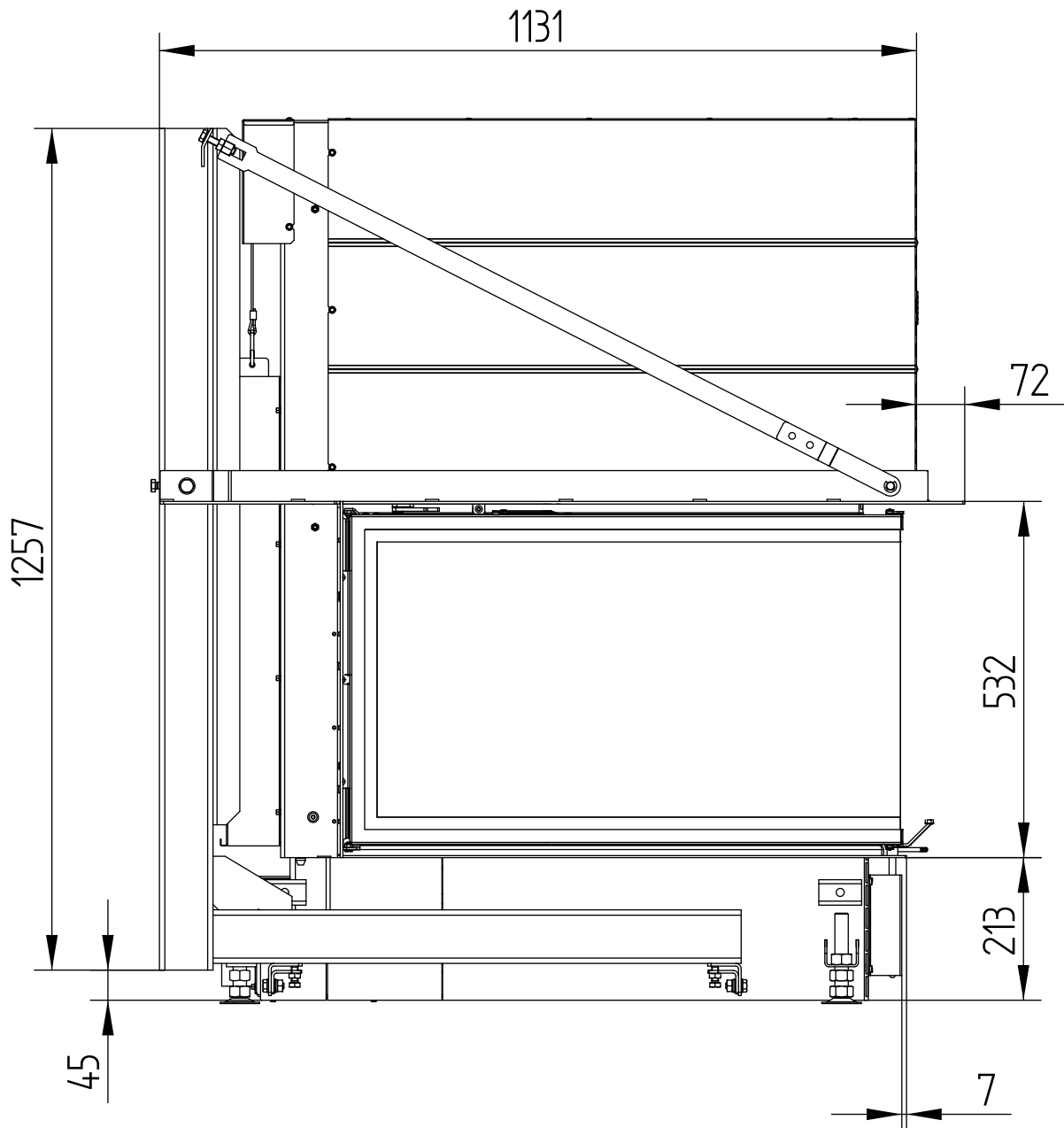


UKA 86/50/86/52h

Technical data
Version 01/2018

BUILD-ON FRAME 5-SIDED

M 1 : 10



UKA 86/50/86/52h

BUILD-ON FRAME 5-SIDED

Technical data
Version 01/2018

M 1 : 10

